

AXIS 209FD/209MFD Network Cameras

Flat, discreet cameras for indoor video surveillance.



- > Flat, non-invasive design
- > Progressive scan
- > Megapixel resolution
- > Easy installation
- > Power over Ethernet

AXIS 209FD and AXIS 209MFD are flat, discreet network cameras designed specifically for non-invasive video surveillance. These ultra-compact network cameras are ideal for areas such as hotel receptions, shops and corridors.

AXIS 209FD provides VGA resolution, whereas AXIS 209MFD is a 1.3-megapixel network camera.

Progressive scan technology provides full resolution images of moving objects with no distortion — perfect for identifying individuals and objects of interest.

The network cameras are quick and easy to install. The direction of the lens can be manually adjusted by tilting and panning, which enables flexible installation on ceilings or walls.

Power over Ethernet (IEEE 802.3af) supplies power to the cameras via the network, which eliminates the need for power outlets and reduces installation costs.

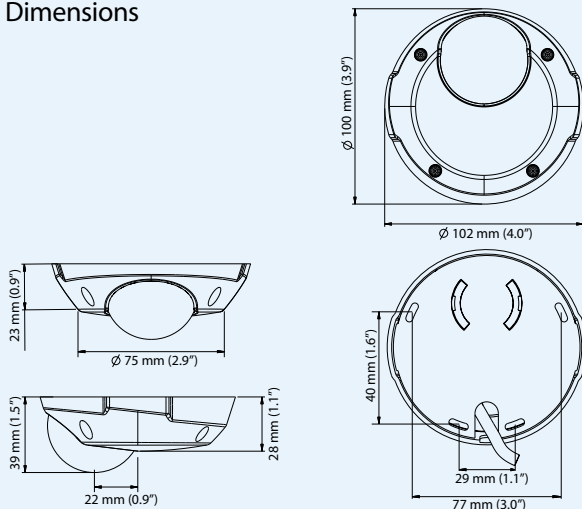


Technical specifications – AXIS 209FD/209MFD Network Cameras

Camera		Network	
Models	AXIS 209FD : VGA AXIS 209MFD : Megapixel	Security	Password protection, IP address filtering, HTTPS encryption
Image sensor	AXIS 209FD : 1/4" Progressive Scan RGB CMOS VGA AXIS 209MFD : 1/3" Progressive Scan RGB CMOS 1.3 Megapixel	Supported protocols	IPv4/v6, HTTP, HTTPS, QoS Layer 3 DiffServ, FTP, SMTP, Bonjour, UPnP, SNMPv1/v2c/v3 (MIB-II), DNS, DynDNS, NTP, RTSP, RTP, TCP, UDP, IGMP, RTCP, ICMP, DHCP, ARP, SOCKS
Lens	AXIS 209FD : 3.0 mm, F2.0, fixed iris, horizontal angle of view: 66° AXIS 209MFD : 3.6 mm, F1.8, fixed iris, horizontal angle of view: 74°	System integration	
Light sensitivity	AXIS 209FD : 1.5 - 10000 lux, F2.0 AXIS 209MFD : 3 - 10000 lux, F1.8	Application Programming Interface	Open API for software integration, including VAPIX® from Axis Communications available at www.axis.com
Shutter time	AXIS 209FD : 1/10000 s to 1/4 s AXIS 209MFD : 1/15000 s to 1/4 s	Intelligent video	Video motion detection
Camera angle adjustment	Pan ±10°, tilt 0 - 90°, rotation ±10°	Alarm triggers	Intelligent video
Pan/Tilt/Zoom	AXIS 209MFD : Digital PTZ, preset positions, guard tour	Alarm events	File upload via FTP, HTTP and email Notification via email, HTTP and TCP
Video		Video buffer	AXIS 209FD : 9 MB pre- and post alarm AXIS 209MFD : 20 MB pre- and post alarm
Video compression	MPEG-4 Part 2 (ISO/IEC 14496-2) Motion JPEG	General	
Resolutions	AXIS 209FD : 160x120 - 640x480 AXIS 209MFD : 160x90 - 1280x1024	Casing	Tamper-resistant casing
Frame rate MPEG-4	AXIS 209FD : Up to 30 fps in max resolution AXIS 209MFD : Up to 8 fps in max resolution, higher frame rate in lower resolutions	Processors and memory	ARTPEC-A AXIS 209FD : 32 MB RAM, 8 MB Flash AXIS 209MFD : 64 MB RAM, 8 MB Flash
Frame rate Motion JPEG	AXIS 209FD : Up to 30 fps in max resolution AXIS 209MFD : Up to 12 fps in max resolution, higher frame rate in lower resolutions	Power	Power over Ethernet IEEE 802.3af Class 1
Video streaming	Simultaneous MPEG-4 and Motion JPEG Controllable frame rate and bandwidth VBR/CBR MPEG-4	Connectors	Female RJ-45 Ethernet 10BaseT/100BaseTX PoE
Image settings	Compression, color, brightness, sharpness, white balance, exposure control Text and image overlay Privacy mask	Operating conditions	0 - 50 °C (32 - 122 °F) Humidity 20 - 80% RH (non-condensing)
		Storage conditions	-30 - 70 °C (-22 - 158 °F)
		Approvals	EN 55022 Class B, EN 55024, EN 61000-3-2, EN 61000-3-3, FCC Part 15 Subpart B Class B, VCCI Class B, ICES-003 Class B, C-tick AS/NZS CISPR 22, MIC Class B, EN 60950
		Weight	180 g (0.40 lb.)
		Included accessories	AXIS PoE Midspan 1-port, key for tamper-proof screws, Installation Guide, CD with installation tool, recording software and User's Manual, Windows decoder 1-user license

More information is available at www.axis.com

Dimensions



Optional accessories



For information on AXIS Camera Station and video management software from Axis' Application Development Partners, see www.axis.com/products/video/software/



Toll Free: 1.888.919.2263
International: +1.845.343.4077
Fax: +1.845.343.4299