

AXIS 215 PTZ Network Camera

Compact pan/tilt/zoom camera for 360 degree video surveillance.



- > Pan, tilt and zoom
- > 12x optical zoom
- > Auto-flip
- > Day and night function
- > Audio detection alarm
- > Simultaneous MPEG-4 and Motion JPEG

AXIS 215 PTZ Network Camera with its unique pan/tilt/zoom capabilities and tamper-resistant design is the perfect solution for video surveillance in retail stores, banks, receptions and schools.



The camera offers advanced remote monitoring with pan, tilt and zoom over IP networks. The total magnification capacity of 48x (12x optical zoom and 4x digital zoom) increases monitoring options with the ability to show a detailed and precise view of the zoomed in area.

AXIS 215 PTZ has 360 degree pan capability, thanks to the Auto-flip function. Auto-flip is a unique Axis function that allows a camera that is mounted in the center of a premises to follow a moving object at 360 degrees without limitation.

The E-flip function, flips the image electronically 180 degrees allowing a person or object to be followed when passing directly below the camera in correct orientation without a repositioning delay.

The camera has automatic day and night functionality with a removable IR filter for increased light sensitivity. Perfect color video are provided when there is sufficient light and high quality black/white video in dark conditions.

AXIS 215 PTZ can send an alarm at a configurable audio detection level. Its two-way audio support allows for communicating with visitors and intruders.

Simultaneous MPEG-4 and Motion JPEG video streams allow for optimization on both image quality and bandwidth efficiency.

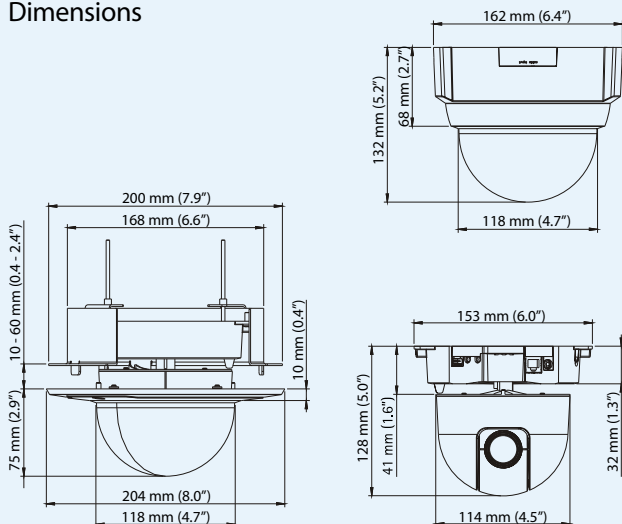
Technical specifications – AXIS 215 PTZ Network Camera

Camera		Network	
Models	AXIS 215 PTZ: 50 Hz AXIS 215 PTZ: 60 Hz	Security	Password protection, IP address filtering, HTTPS encryption, IEEE 802.1X network access control
Image sensor	1/4" interlaced CCD	Supported protocols	IPv4/v6, HTTP, HTTPS, QoS Layer 3 DiffServ, FTP, SMTP, Bonjour, UPnP, SNMPv1/v2c/v3 (MIB-II), DNS, DynDNS, NTP, RTSP, RTP, TCP, UDP, IGMP, RTCP, ICMP, DHCP, ARP, SOCKS
Lens	3.8 – 46 mm, F1.6 – F2.7, automatic day/night, autofocus Angle of view, horizontal: 4.4° – 51.6°	System integration	
Minimum illumination	Color: 1 lux at 30 IRE, F1.6 B/W: 0.3 lux at 30 IRE, F1.6	Application Programming Interface	Open API for software integration, including VAPIX® from Axis Communications available at www.axis.com
Shutter time	NTSC: 1/50000 – 4/3 s PAL: 1/50000 – 8/5 s	Intelligent video	Video motion detection, audio detection
Pan/Tilt/Zoom	20 preset positions Auto-flip, E-flip ±170° (360° via Auto-flip) pan range, 180°/s pan speed 180° tilt range, 140°/s tilt speed 12x optical, 4x digital zoom Control queue, image freeze, sequence mode Support Windows compatible joysticks Designed for operator control	Alarm triggers	Intelligent video and external input
Video		Alarm events	File upload via FTP, HTTP and email Notification via email, HTTP and TCP External output activation
Video compression	MPEG-4 Part 2 (ISO/IEC 14496-2) Motion JPEG	Video buffer	9 MB pre-and post alarm
Resolutions	176x120 – 704x576	General	
Frame rate MPEG-4	Up to 30/25 (NTSC/PAL) in 2CIF/CIF/QCIF Up to 26/22 (NTSC/PAL) in 4CIF/2CIFExp	Processors and memory	ETRAX FS, ARTPEC-2, 32 MB RAM, 8 MB Flash
Frame rate Motion JPEG	Up to 30/25 (NTSC/PAL) in all resolutions	Power	12 V DC ±5%, max 14.5 W
Video streaming	Simultaneous MPEG-4 and Motion JPEG Controllable frame rate and bandwidth VBR/CBR MPEG-4 ISMA compatible	Connectors	RJ-45 for 10BASE-T/100BASE-TX Terminal block for 1 alarm input, 1 output and power out for I/O 3.5 mm mic/line in, 3.5 mm line out
Image settings	Compression, color, brightness, sharpness, white balance, exposure control, backlight compensation, day/night Rotation 0 – 100° Aspect ratio correction Text and image overlay De-interlace (4CIF resolution)	Operating conditions	0 – 45 °C (32 – 113 °F) Humidity 20 – 80% RH (non-condensing)
Audio		Approvals	EN 55022 Class B, EN 55024, EN 61000-3-2, EN 61000-3-3, EN 60950-1, FCC Part 15 Subpart B Class B, ICES-003 Class B, C-tick AS/NZS 3548 Power supply: UL, CSA, CE
Audio streaming	Two-way, full or half duplex	Weight	730 g (1.6 lb.) incl hard ceiling cover 1260 g (2.8 lb.) incl drop ceiling mounting bracket and cover
Audio compression	G.711 PCM 8 kHz 64 kbit/s G.726 ADPCM 8 kHz 32 or 24 kbit/s	Included accessories	Installation Guide, CD with User's Manual, recording software, installation and management tools, hard ceiling and drop ceiling mount kits, indoor power supply, transparent and smoked domes, Windows decoder 1-user license
Audio input/output	External microphone input or line input, line level output		



Toll Free: 1.888.919.2263
International: +1.845.343.4077
Fax: +1.845.343.4299

Dimensions



Optional accessories

Various housings



AXIS 295 Video Surveillance Joystick

T90A IR illuminators



For information on AXIS Camera Station and video management software from Axis' Application Development Partners, see www.axis.com/products/video/software/