

AXIS 223M Network Camera

Day and night surveillance with exceptional image detail.



- > Megapixel resolution
- > Day/night function
- > Power over Ethernet
- > Two-way audio
- > Powerful event management

AXIS 223M is a high performance megapixel network camera, designed for demanding security installations. It provides the perfect solution for securing banks, airports and other facilities, as well as for city and traffic surveillance.

Thanks to its 2 megapixel resolution, AXIS 223M delivers crisp and clear images with exceptional image detail, perfect for the identification of individuals and objects of interest.

AXIS 223M features automatic day and night functionality with removable infrared-cut filter for increased light sensitivity.

Power over Ethernet (IEEE 802.3af) supplies power to the camera via the network, which eliminates the need for power cables and reduces installation costs.

The two-way audio support allows remote users to listen in on an area and communicate with visitors or intruders.

The powerful event management includes video motion detection, active tampering alarm, audio detection and pre-and post-alarm buffering.



Technical specifications – AXIS 223M Network Camera

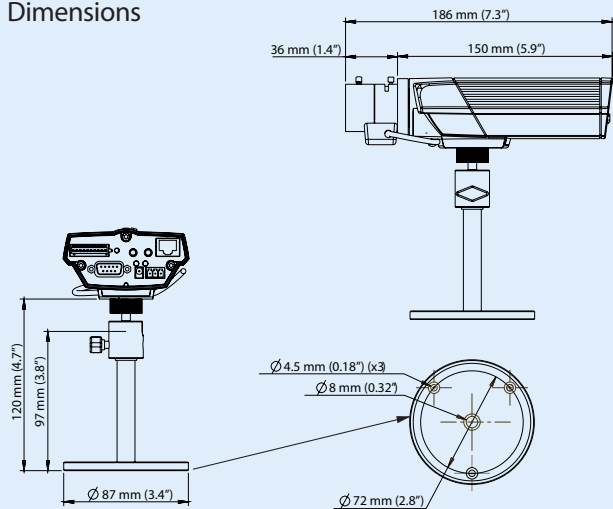
Camera	
Image sensor	1/2.7" Progressive scan RGB CCD
Lens	4.0 – 8.0 mm, F1.4, DC-iris, C mount The camera can be used with C or CS mount lens Angle of view, horizontal: 38° – 72°
Minimum illumination	Color: 1.5 lux, F1.4 B/W: 0.2 lux, F1.4
Shutter time	1/7500 s to 2 s
Video	
Video compression	MPEG-4 Part 2 (ISO/IEC 14496-2) Motion JPEG
Resolutions	160x120 – 1600x1200
Frame rate MPEG-4	Up to 12 fps at 640x360, 9 fps at 640x480
Frame rate Motion JPEG	Up to 12 fps at 1600x900, 9 fps at 1600x1200
Video streaming	Simultaneous MPEG-4 and Motion JPEG Controllable frame rate and bandwidth VBR/CBR MPEG-4
Image settings	Compression, color, brightness, sharpness, contrast, white balance, exposure control, exposure area, backlight compensation, rotation, fine tuning of behavior at low light Text and image overlay Privacy mask
Audio	
Audio streaming	Two-way, half duplex
Audio compression	AAC LC 8/16 kHz G.711 PCM 8 kHz G.726 ADPCM 8 kHz Configurable bit rate
Audio input/output	External microphone input or line input, line level output
Network	
Security	Password protection, IP address filtering, HTTPS encryption, IEEE 802.1X network access control, user access log
Supported protocols	IPv4/v6, HTTP, HTTPS, QoS Layer 3 DiffServ, FTP, SMTP, Bonjour, UPnP, SNMPv1/v2c/v3 (MIB-II), DNS, DynDNS, NTP, RTSP, RTP, TCP, UDP, IGMP, RTCP, ICMP, DHCP, ARP, SOCKS

System integration	
Application Programming Interface	Open API for software integration, including VAPIX® from Axis Communications available at www.axis.com
Intelligent video	Video motion detection, active tampering alarm, audio detection
Alarm triggers	Intelligent video, IR-cut filter, temperature and external input
Alarm events	File upload via FTP, HTTP and email Notification via email, HTTP and TCP External output activation
Video buffer	36 MB pre-and post alarm
General	
Casing	Aluminum
Processors and memory	ETRAX FS, ARTPEC-2, 64 MB RAM, 8 MB Flash
Power	7 – 24 V DC, max 6 W 10 – 24 V AC, max 8 VA Power over Ethernet IEEE 802.3af, Class 2
Connectors	RJ-45 for 10BASE-T/100BASE-TX, DC jack Terminal block for 2 alarm inputs, 1 output and RS485/422 half duplex D-sub for RS-232 3.5 mm mic/line in, 3.5 mm line out
Operating conditions	0 – 50 °C (32 – 122 °F) Humidity 20 – 80% RH (non-condensing)
Approvals	EN 55022 Class B, EN 55024, EN 61000-3-2, EN 61000-3-3, EN 61000-6-1, EN 61000-6-2, FCC Part 15 Subpart B Class B, VCCI Class B, C-tick AS/NZS CISPR22, ICES-003 Class B, EN 60950-1 Power supply: EN 60950-1, UL, cUL
Weight	620 g (1.37 lb.)
Included accessories	Installation Guide, CD with User's Manual, recording software, installation and management tools, mounting and connector kits, power supply, CS mount ring for alternative CS lens, Windows decoder 1-user license

NVR-PRO
NETWORK VIDEO RECORDING
MANAGEMENT & TRANSMISSION
www.NVR-PRO.com

Toll Free: 1.888.919.2263
International: +1.845.343.4077
Fax: +1.845.343.4299

Dimensions



Optional accessories

Various housings



Lenses



T90A IR Illuminators



For information on AXIS Camera Station and video management software from Axis' Application Development Partners, see www.axis.com/products/video/software/